

FTS07

Hot wire air velocity transmitter for probe type



APPLICATIONS

Feature

- Measuring range: 1 m/s, 10m/s, 20m/s
- Highly stability and repeatability
- Smaller tolerance in setting angle
- An economical choice, high C/P ratio

Application

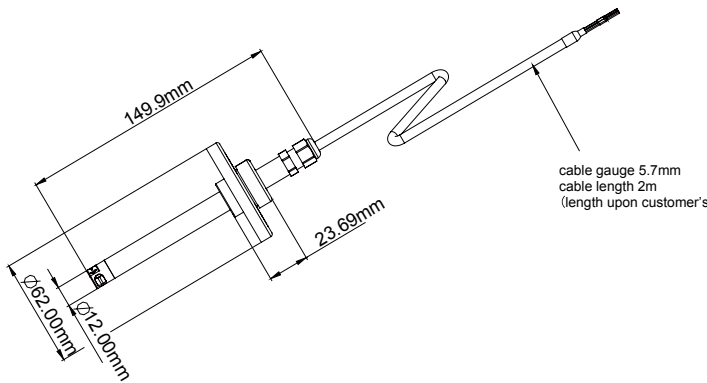
- Monitoring for HVAC process
- Environmental control and clean room
- Laminar flow control



FTS **07** - **01** **6** **1** - **2**

Installation	Range	Output	Power Supply	Option
07 : probe type	01 : 1m/s 10 : 10m/s 20 : 20m/s	6 : 0-10V	1 : 24VDC±20%	2 : 2m cable

DIMENSION



TECHNICAL SHEET

Input

Measurement Range 1m/s;10m/s;20m/s

Output

Output 0~10VDC
Signal connection 3-Wire
Accuracy(at25°C) ±5% of F.S.
Load resistance(Voltage Output) > 10KΩ
Response time ... reach 90% of ultimate value within 1 sec.
Angular dependence <3% measuring range (install degree<10°)

Environment

Media air
Recommended working range 15~35°C
Working environment 10~90%
Storage temperature -10~60°C

Electrical Protection

Power supply 24VDC±20%
Current consumption < 70mA
Overvoltage protection <35VDC
Electrical connection PVC cable 0.32mm²*3C

Protection

Product installation probe
Way to fix flange installation
Protection degree IP20
Electrical protection ■ Polarity protection ■ over-voltage
Housing PC fire-proof class (UL94V-2)
Probe stainless steel
Cable PVC
Weight 25g(without cable)

CONNECTION DIAGRAM

