

KR2000 SERIES GRAPHIC RECORDER



KR2000 Series are network-compatible paperless recorders with high performance and high operating function employed high visibility 5.6" TFT color LCD display. High speed of sampling rate 100ms and high accuracy of $\pm 0.1\%$ were realized, and measured data is stored into internal memory and maximum 8GB compact flash card (CF card). As it can be monitored by a web browser display on several computers on intranet or internet, FTP transfer of data file and E-mail notification are also available.



FEATURES

- **Employing clear 5.6" TFT color LCD display**
 - Large-sized high visibility display with various display functions. Real time/Historical trend screen, Bar-graph screen, Data screen are selectable for various applications.
- **Large capacity of data memory and various recording method**
 - Compact flash card (CF card) slot is equipped as standard external memory. Large capacity storage of maximum 8GB is available.
 - Various data storing methods are selectable such as schedule programming by time of day and time of date, recording start-up by external signal, and event and data logging of before and after trigger points for alarm.
- **Multi points recording with high speed/accuracy**
 - High-speed recording of approximately 100ms and high accuracy of $\pm 0.1\%$ were realized. Stable measuring and recording are possible with high speed.
 - High withstand voltage of 1000V AC between input channels. (Except resistance thermometer input)
- **Easy operating and programming without manual**
 - Easy operating by dedicated keys for each function
- **USB port prepared in front compartment**
 - USB port is prepared for connecting maximum 8GB USB memory and PC. Readout of data and files are possible by connecting the panel mounted recorder.
- **LAN network capability**
 - Various networked environment such as remote monitoring by browser, FTP server and E-mail notification are applied as Ethernet is equipped as standard.
- **Safety system and reliability**
 - No battery backup needed for external memory for recorded data storage.
- **Analyzing/data acquisition application software**
 - It is easy to replay and edit the recorded data file. Replay display has functions of vertical/horizontal trend, circular trend, and also wave-analyzing and marking by using the cursor.

MODELS

KR21 A

Measuring points/sampling rate*

- 60 : 6 points/100ms
- 20 : 12 points/100ms
- 61 : 6 points/1s
- 21 : 12 points/1s

USB port

- M : USB memory stick (type A)
- : PC (type B)

Communications interface (option)

- N : None
- R : High-order (RS232C/RS485)
- Q : High-order (RS232C/RS485)
+ Low-order (RS485)

Digital input/ alarm output (option)

- 0 : None
- 1 : Mechanical relay output - 12 points (a contact)
- 2 : Mechanical relay output - 6 points (c contact)
- 7 : Digital input - 8 points
+ MOS relay output 8 points

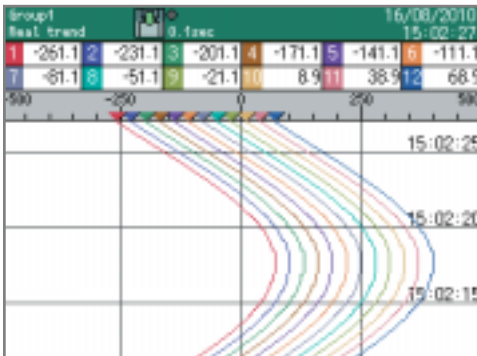
* 1 to 4 channels input (4 points) when setting faster than 500ms sampling rate with model of 1sec sampling rate.

KR2000 SERIES

SCREENS

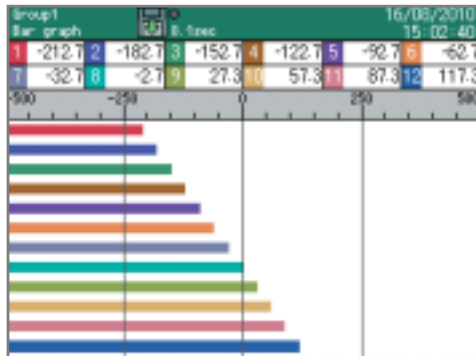
Real-time trend screen

Displays data (measured and virtual) of selected group. Vertical trend and horizontal trend selectable.



Bar-graph screen

Displays data (measured and virtual) of selected group. Combination display with real-time trend is available.



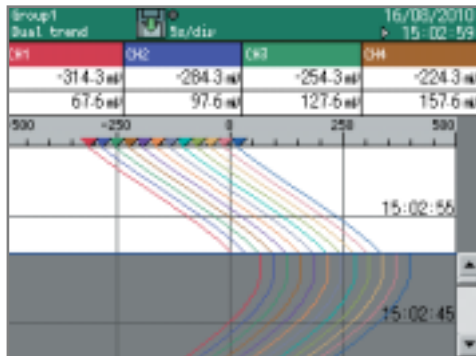
Data screen

Displays data (measured and virtual) of selected group. Simultaneous display of alarm status.

CH1	CH2	CH3
17.2 mV	47.2 mV	77.2 mV
107.2 mV	137.2 mV	167.2 mV
197.2 mV	227.2 mV	257.2 mV
287.2 mV	317.2 mV	347.2 mV

Dual trend screen

2 split display for real-time trend and historical trend. Scroll available for historical trend.



Information screen

Start date and time	End date and time	Data count
06/08/2010 15:01:52	16/08/2010 15:01:58	43
06/08/2010 15:17:15	06/08/2010 15:17:15	20
06/08/2010 15:17:12	06/08/2010 15:17:12	9
06/08/2010 15:16:59	06/08/2010 15:16:59	5
06/08/2010 15:59:19	06/08/2010 15:00:52	434
06/08/2010 15:59:11	06/08/2010 15:59:16	60
26/07/2010 18:31:45	26/07/2010 18:32:04	40
22/06/2010 17:35:37	22/06/2010 17:35:41	10
22/06/2010 15:55:50	22/06/2010 15:55:54	10
22/06/2010 15:55:28	22/06/2010 15:55:31	4
22/06/2010 15:33:18	22/06/2010 15:33:27	10
22/06/2010 15:33:08	22/06/2010 15:33:17	10
22/06/2010 15:32:30	22/06/2010 15:32:34	10
22/06/2010 15:28:28	22/06/2010 15:28:33	37
22/06/2010 15:28:24	22/06/2010 15:28:25	10
22/06/2010 14:58:26	22/06/2010 14:58:27	10
22/06/2010 14:39:53	22/06/2010 14:39:53	40

HOME setting screen

Channel parameter: IRL channels batch

Range type: 500mV

Range: -500.0 to 500.0

Scale: -500.0 to 500.0

BJ: -----

Burn out: -----

Recording cycle: 0.1 sec

Specifications

Channel setting screen

Ch	Range type	Tag	Unit
01	500mV		mV
02	500mV		mV
03	500mV		mV
04	500mV		mV
05	500mV		mV
06	500mV		mV
07	500mV		mV
08	500mV		mV
09	500mV		mV
10	500mV		mV
11	500mV		mV
12	500mV		mV
13	-----		U
14	-----		U

Schedule setting screen

Schedule settings: Date

Date settings: Date Time

Start date and time: 01/08/10 00:00

End date and time: 02/08/10 00:00

Day setting: Sun/Tue/Wed/Thu/Fri/Sat

Usage days: [] [] [] [] [] []

Start time: 00:00

End time: 00:00

INPUT SPECIFICATIONS

Measuring points: 6 points, 12 points
 Input types: Universal
 DC voltage --- $\pm 13.8\text{mV}$, $\pm 27.6\text{mV}$, $\pm 69.0\text{mV}$
 $\pm 200\text{mV}$, $\pm 500\text{mV}$, $\pm 2\text{V}$
 $\pm 5\text{V}^*$, $\pm 10\text{V}^*$, $\pm 20\text{V}^*$, $\pm 50\text{V}^*$
 (*with built-in voltage divider)
 DC current --- With external shunt resistor (sold separately)
 Thermocouple --- B, R, S, K, E, J, T, N, PtRh40-PtRh20,
 W-WRe26, WRe5-WRe26, PlatinellII, NiMo-
 Ni, CR-AuFe, U, L
 Resistance thermometer --- Pt100, JPt100, Pt-Co, Pt50
 Refer to the table of measuring range and accuracy ratings
 Accuracy ratings: Refer to the table of measuring range and accuracy ratings
 Reference junction compensation accuracy:
 K, E, J, T, N, PlatinellIII --- $\pm 0.5^\circ\text{C}$ or less
 R, S, W-WRe26, WRe5-WRe26, NiMo-Ni,
 CR-AuFe, U, L --- $\pm 1.0^\circ\text{C}$ or less
 Sampling rate: 100ms --- Approximately 100ms for all points
 1s --- Approximately 300ms for all points*
 *100ms/4 points when setting faster than 0.5s (0.1s to 0.5s)
 sampling rate with model of KR2161/KR2121
 Burnout: Disconnection of input signal is detected on
 thermocouple and resistance thermometer input.
 UP/DOWN/DISABLE is selectable.
 Scaling: Range/scale is selectable.
 Digital filter: Programming FIR filter for each point (common to
 all points)
 Allowable signal source resistance:
 Thermocouple input (burnout disable)/
 DC voltage input ($\pm 2\text{V}$ or less) --- $1\text{k}\Omega$ or less
 DC voltage input ($\pm 5\text{V}$ or more) --- 100Ω or less
 Resistance thermometer --- Per wire 10Ω or less
 (same resistance for 3 wires)
 Input resistance: DC voltage, thermocouple input --- Approximately $1\text{M}\Omega$
 Maximum input voltage:
 DC voltage input ($\pm 2\text{V}$ or less)/
 thermocouple input (burnout disable) --- $\pm 10\text{VDC}$
 DC voltage input ($\pm 5\text{V}$ to $\pm 50\text{V}$) --- $\pm 60\text{VDC}$
 Dielectric strength between channels:
 1000V AC or more between each channel
 (High strength semiconductor relay used)
 (B terminal of resistance thermometer is shorted inside between
 channels)

RECORDING SPECIFICATIONS

Memory for history: 132MB
 Additional memory: CF card (Up to 8GB),
 USB memory stick (Up to 8GB)
 *Type A is only available for USB memory stick.
 Not all USB memory stick is operated.
 Recording cycle: 100, 200, 500ms
 1, 2, 3, 5, 10, 15, 20, 30s
 1, 2, 3, 5, 10, 15, 20, 30, 60min
 Logging data: Measured data --- File name (group name), time of day,
 month and year of recording start, tag, measured data,
 alarm status/types
 Setting parameter
 Operation result data
 Storing types: Binary/CSV
 Storing methods: Manual start/stop (dedicated key operation)
 Schedule (designation for time of day and date)
 Trigger signal (alarm event, digital input)
 *Pre-trigger is selectable
 Measuring numbers of pre-trigger --- Maximum 950 data
 Recording group: Recording cycle 500ms or faster --- up to 3 groups of 12
 points/group can be programmed
 Recording cycle 1s or slower --- up to 5 groups of 44
 points/group can be programmed
 (Up to total of 100 points)

When 6 channels recorded in sampling mode (real data)

Recording cycle	128MB	256MB	512MB	1GB	2GB
0.1 sec	6.32 days	12.6 days	25.3 days	50.6 days	101 days
1sec	63.2 days	126 days	253 days	1.4 yrs	2.8 yrs
60 sec	10 yrs	21 yrs	42 yrs	83 yrs	166 yrs

When 12 channels recorded in sampling mode (real data).

Recording cycle	128MB	256MB	512MB	1GB	2GB
0.1 sec	3.16 days	6.32 days	12.6 days	25.3 days	50.6 days
1sec	31.6 days	63.2 days	126 days	253 days	1.4 yrs
60 sec	5.2 yrs	10 yrs	21 yrs	42 yrs	83 yrs

COMPUTATION SPECIFICATIONS

Computation points: Maximum 44 points
 Computation types: Arithmetic operations --- Addition, subtraction,
 multiplication,
 division, remainder, exponential
 Comparison operations --- Equality, inequality, great, less,
 equality /great, equality / less
 AND, OR, XOR, NOT
 Logical operations --- Round-up, round-down, absolute
 value, square root, exponent of e,
 natural logarithm, common logarithm
 General functions --- Analog integration, digital
 integration
 Integration operations --- Measured data computation,
 calculated data computation,
 Channel data operations --- Dew point, relative humidity, F-value
 Remaining amount of CF card
 Others ---

ALARM SPECIFICATIONS

Setups: Up to 4 alarms can be programmed per channel
 Alarm types: Upper limit, lower limit, differential upper limit, differential lower
 limit (deadband is selectable), abnormal data
 Delay function: Setup range of alarm delay --- 1 to 3600 seconds
 Alarm settings: AND/OR selectable
 Alarm outputs: Refer to option specification

DISPLAY SPECIFICATIONS

Display: 5.6" TFT color LCD
 Display types: Measured data display (Trend screen, Data screen, Bar-graph
 screen)
 Historical trend display (simultaneous display with Real-time
 trend is available)
 Information display (alarm display, marker list, file list)
 Setting screen (alarm, computation, memory, system,
 maintenance, communication, etc.)
 Trend screen: 12 colors selectable
 Display screen --- 5 screens (5 groups)
 Display points --- Maximum 44 points/screen
 Time axis direction --- Vertical or horizontal
 Line width --- 1/3/5 dot selectable
 Scale display --- 4 scales
 Tag/data display --- Show/hidden selectable
 Marker display
 Data screen: Display screen --- 5 screens (5 groups)
 Display points --- Maximum 44 points/screen
 Display contents --- Measured value, channel/tag, unit, alarm
 status
 Bargraph screen: 12 colors selectable
 Display screen --- 5 screens (5 groups)
 Display points --- Maximum 44 points/screen
 Display direction --- Vertical or horizontal
 Scale display --- 1 scale
 Information display: Alarm display (alarm activation/released history display)
 Marker list
 File list (group data file list display)
 Auto/manual OFF function
 LCD back light: Unit information (Model, Serial no., option, etc.)
 Brightness --- 4 levels adjustment

*The LCD display may contain some pixels that always or never illuminate, and the brightness of some areas of the display may appear uneven. There are typical LCD performance characteristics and do not constitute malfunctions.

COMMUNICATION FUNCTIONS

Network

Communication type: Ethernet (10BASE-T/100BASE-TX)
 Data file can be read from the network computer
 FTP server: Transfer a data file to a network server
 FTP client: The time can be synchronized to the time of SNTP server
 SNTP client: Conformed to HTTP1.0 --- Displays the alarm, information of
 Web server: maintenance by browser software (Internet Explorer5.0 or later,
 NetScape6.0 or later, Opera7 or later)
 *User's ID and password registration available
 E-Mail: E-Mail notification at specified time for alarm activation
 Report data at specified time is selectable from all registered
 data
 Notification address --- Maximum 8 contacts

USB Communications

USB: Communication type --- USB1.1
 Transfer systems --- Bulk transfer, control transfer
 File transfer by connecting as removable disk drive

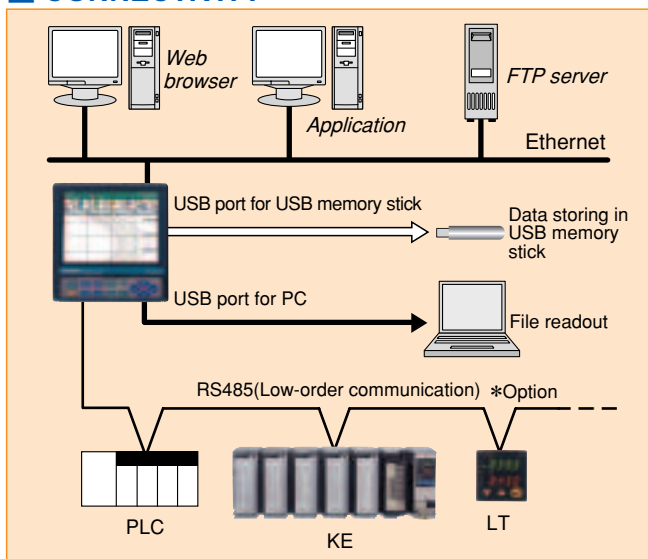
TYPE A



TYPE B



CONNECTIVITY



KR2000 SERIES

PROGRAMMING/OPERATION SPECIFICATIONS

Operation key: HOME, MENU, DISP, MARKER, SCROLL, CURSOR, START, STOP, DIRECTION keys, ENTER, ESC

HOME settings: Simple recording settings --- Common setting to all channels
Parameter programming for all channels together, recording cycle, selection settings

MENU settings: Input/computation programming --- Input parameter, computation parameter
DISP settings --- Data channel parameter, group parameter, common parameter (combination display, trend vertical/horizontal)
Alarm settings
File settings (5 individual files) --- Storing method settings
Marker text settings
System settings --- Communication, clock, maintenance, key lock, password, screen, etc.

DISP operations: Operating screen selection --- Trend, data, bar-graph, historical trend, alarm display, maker list
Display selection on each screen --- Group 1 to 5 selectable

GENERAL SPECIFICATIONS

Rated power voltage: 100 to 240V AC (universal power supply) 50/60Hz
Maximum power consumption: 50VA
Reference operating condition:
Ambient temperature --- 21 to 25°C,
Ambient humidity --- 45 to 65%RH
Power voltage --- 100V AC±1.0%
Power frequency --- 50/60Hz±0.5%
Attitude --- Left/right 0°, forward/backward 0°
Warm-up time --- Longer than 30 minutes

Normal operating condition:
Ambient temperature --- 0 to 50°C
Ambient humidity --- 20 to 80%RH
Power voltage --- 90 to 264V AC
Power frequency --- 50/60Hz±2%
Attitude --- left/right 0°, forward tilting 0°, Backward tilting 0° to 20°

Transport condition (at the packed condition on shipment from our factory):
Ambient temperature --- -20 to 60°C
Ambient humidity --- 5 to 90%RH (No dew condensation)
Vibration --- 10 to 60Hz 0.5G (4.9m/S²) or less
Impact --- 40G (392m/S²) or less

Storage condition: Ambient temperature --- -20 to 60°C
Ambient humidity --- 5 to 90%RH (No dew condensation)

Power failure protection:
Setups and data are backed up by flash memory
Clock --- Lithium battery backs up RAM (Minimum 5 years)

Insulation resistance: Secondary terminals and protective conductor terminals --- 20MΩ or more at 500V DC
Primary terminals and protective conductor terminals --- 20MΩ or more at 500V DC
Primary and secondary terminals --- 20MΩ or more at 500V DC
Primary terminals: power terminals (L,N), alarm output terminals
Secondary terminals: measuring input terminals, digital input terminals, communications terminals

Dielectric strength: Secondary terminals and protective conductor terminals --- 1 minute at 500V AC
Primary terminals and protective conductor terminals --- 1 minute at 1500V AC
Primary and secondary terminals --- 1 minute at 2300V AC
Primary terminals: power terminals (L,N), alarm output terminals
Secondary terminals: measuring input terminals, digital input terminals, communications terminals

Case assembly material:
Front bezel --- ABS resin
Case --- Steel

Color:
Front bezel --- Black (equivalent to Mussel N3.0)
Case --- Painting color, gray (equivalent to Mussel N7.0)

Weight: 2.2kg
Mounting: Panel mounting
Terminal screws:
Power terminals/protective conductor terminals/communications terminals --- M4.0
Measuring input terminals/alarm output terminals/digital input terminals --- M3.5

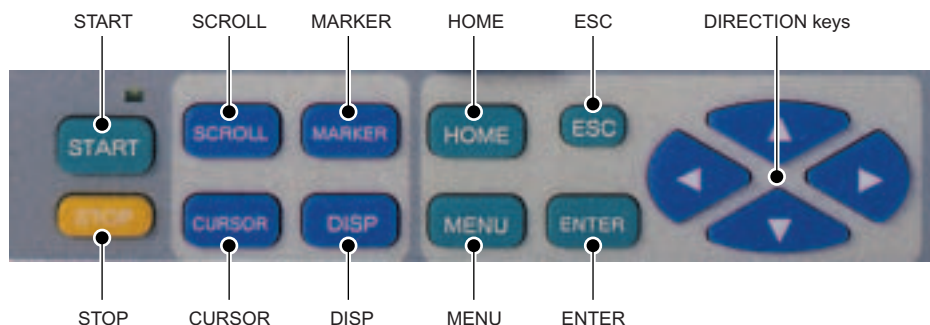
STANDARDS

CE : EMC directive --- EN61326: 1997 + A1 + A2 + A3: 2003
Class A
EN61000-3-2: 2000
EN61000-3-3: 1995 + A1: 2001
Low voltage directive --- EN61010-1: 2nd ed. (2001)
Protection: Conformed to IEC529 IP65 (recorder front bezel)

OPTION SPECIFICATIONS

Options	Specifications	
Mechanical relay alarm output	Mechanical relay contact output for abnormal input and alarm activation Output: 12 points (a contact), 6 points (c contact) Contact ratings: Mechanical relay --- 100V AC 0.5A, 240V AC 0.2A, 30V DC 0.3A	
MOS relay alarm output	MOS relay contact output for abnormal input and alarm activation Output: 8 points Contact ratings: MOS relay --- 240V (DC, AC) 50mA	
Communications interface	High-order communications	Communications interface for high-order units RS232C/RS485 (MODBUS) switchable Ethernet is standard equipped
	Low-order communications	Communications interface for low-order units Input data storing of units connected to low-order RS485 (MODBUS) Recording points: 6 points recorder --- 30 points 12 points recorder --- 24 points Sampling rate: 1s per connected unit Models: KE, SE3000, KR2000, KR3000, LE5000, AL3000/AH3000 LT230, 830, 350, 450, 470, DB1000, 2000, KP1000/KP2000/DP-G, JU, JW (only data acquisition)
Digital inputs	ON/OFF signal	ON/OFF input recording
	Pulse input	Maximum 10Hz pulse input Used for flow, operating time and frequency Input system: Photocoupler isolation (Common use for contact and pulse input) Built-in isolated power supply (approx. 5V) Input type: Non-power contact, open collector (TTL or transistor)
	Remote contact	The following operations are available by contact input 8 points and common signal 4 points (Selectable by parameter). * Data memory triggering Start data recording by conductive signal from OFF to ON Data recording while conductive signal is ON * Marker display Registered makers display by conductive signal from OFF to ON * Integration operations Reset data for integration operations (all channels simultaneously)
Others	Handle and feet, white front bezel, point indication card	

OPERATION KEYS



MEASURING RANGES

Input type	Measuring range	Accuracy ratings	
DC voltage	-13.80 to 13.80mV -27.60 to 27.60mV -69.00 to 69.00mV -200.0 to 200.0mV -500.0 to 500.0mV -2.000 to 2.000V	±0.1%±1digit	
	(with built-in voltage divider)		-5.000 to 5.000V -10.00 to 10.00V -20.00 to 20.00V -50.00 to 50.00V
T/C	K	-200.0 to 300.0°C -200.0 to 600.0°C -200 to 1370°C	±0.1%±1digit * -200 to 0°C: ±0.2%±1digit
	E	-200.0 to 200.0°C -200.0 to 350.0°C -200 to 900°C	
	J	-200.0 to 250.0°C -200.0 to 500.0°C -200 to 1200°C	
	T	-200.0 to 250.0°C -200.0 to 400.0°C	
	R	0 to 1200°C 0 to 1760°C	±0.1%±1digit * 0 to 400°C: ±0.2%±1digit
	S	0 to 1300°C 0 to 1760°C	
	B	0 to 1820°C	±0.1%±1digit * 0 to 400°C: Out of accuracy ratings * 400 to 800°C: 0.15%±1digit
	N	-200.0 to 400.0°C -200.0 to 750.0°C -200 to 1300°C	±0.15%±1digit * -200 to 0°C: ±0.3%±1digit
	W-WRe26	0 to 2315°C	±0.15%±1digit * 0 to 100°C: ±4%±1digit * 100 to 400°C: ±0.5%±1digit
	WRe5-WRe26	0 to 2315°C	±0.2%±1digit
	PtRh40-PtRh20	0 to 1888°C	±0.2%±1digit * 0 to 300°C: ±1.5%±1digit * 300 to 800°C: ±0.8%±1digit
	NiMo-Ni	-50.0 to 290.0°C -50.0 to 600.0°C -50 to 1310°C	±0.2%±1digit
	CR-AuFe	0.0 to 280.0K	±0.2%±1digit * 0 to 20K: ±0.5%±1digit * 20 to 50K: ±0.3%±1digit
	PlatineII	0.0 to 350.0°C 0.0 to 650.0°C 0 to 1395°C	±0.15%±1digit
U	-200.0 to 250.0°C -200.0 to 500.0°C -200.0 to 600.0°C	±0.15%±1digit * -200 to 0°C: ±0.3%±1digit	
L	-200.0 to 250.0°C -200.0 to 500.0°C -200 to 900°C	±0.1%±1digit * -200 to 0°C: ±0.2%±1digit	
RTD	Pt100	-140.0 to 150.0°C -200.0 to 300.0°C -200.0 to 850.0°C	±0.1%±1digit * -140.0 to 150.0°C 700 to 850°C: ±0.15%±1digit
	JPt100	-140.0 to 150.0°C -200.0 to 300.0°C -200.0 to 649.0°C	±0.1%±1digit * -140.0 to 150.0°C: ±0.15%±1digit
	Pt50	-200.0 to 649.0°C	±0.1%±1digit
	Pt-Co	4.0 to 374.0K	±0.15%±1digit * 4 to 50K: ±0.3%±1digit

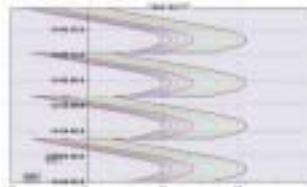
Note: The accuracy ratings are converted into the measuring range under reference operating condition. Thermocouple input does not contain reference junction compensation accuracy.
 K,E,J,T,R,S,B,N:IEC584,JIS C1602-1995
 W-WRe26,WRe5-WRe26,PtRh40-PtRh20,PlatineII,NiMo-Ni,
 Cr-AuFe:ASTM Vol14.03
 U(Cu-CuNi),L(Fe-CuNi):DIN43710
 Pt100:IEC751(1995),JIS C1604-1997
 JPt100:JIS C1606-1989

APPLICATION SOFTWARE ZAILA (sold separately)

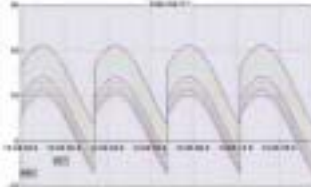
The software is applied for replay display/wave editing operation of recorded data in KR2000 series. It has replay display of vertical/horizontal trend and circular trend function, and also analyzing function such as magnify/reduce/partially magnify of graphs and message insert.

Display examples

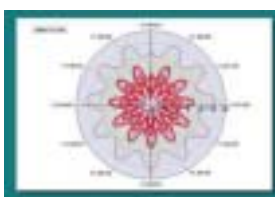
Trend display window (vertical flow)



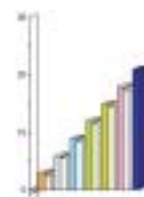
Trend display window (horizontal flow)



Trend display window (circular trend)



Bar-graph



Main functions

Trend display

Selectable from trend display window (vertical flow, horizontal flow) and circular trend display window.

Continuous replay display window

Trend is scrolled continuously (automatically).
 Scroll changes by speed and renewal data no.

Data list display window

Displays registered data as list display.

Bar-graph

Displays by bar. Message can be inserted into bar-graph.

Data between markers

Displays date/time, time difference between 2 data, data difference, maximum, minimum, average, standard deviation and median among all data.

Alarm display

Points for alarm activation at each level are displayed on a trend graph.

Settings

Cursor, trend line, scale axis, time axis, title input on the graph, graph assistant and magnify/reduce/rotation of graphs

Data conversion

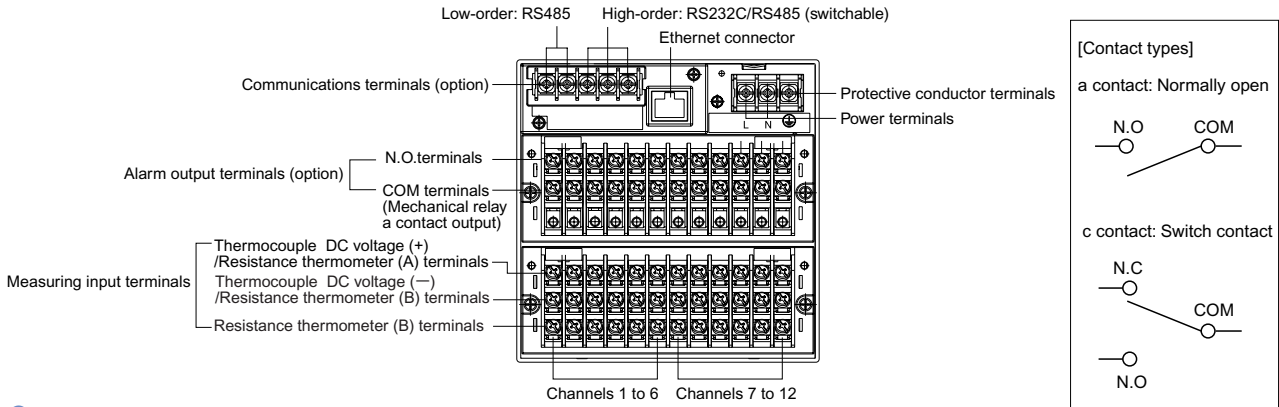
Exporting to Excel, and converting to CSV file or TEXT file are available.

ENVIRONMENT

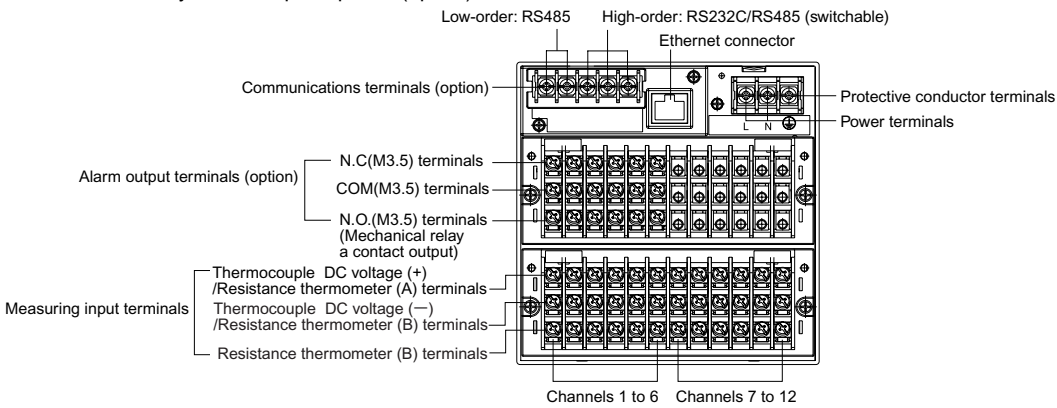
CPU	1GHz or faster
OS	Windows 98/Me Windows 2000/XP Home/XP Pro *Internet Explorer 4.0 or later
Memory	256MB or more (512MB or more recommended)
Disk drive	CD-ROM drive: 1 drive or more Hard disk drive: Disk space of 1 drive or more for 100MB or more
Language	Japanese, English, Chinese (simplified and traditional characters), Korean

TERMINAL ARRANGEMENT

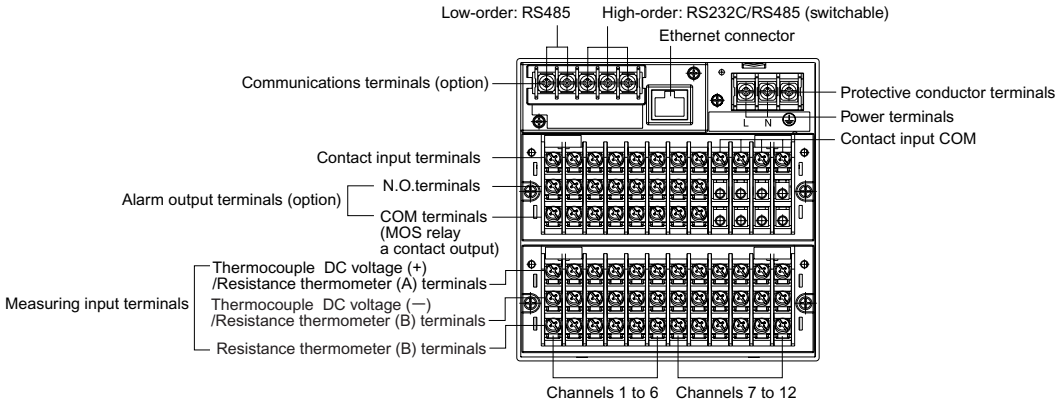
Alarm mechanical relay alarm output 12 points (option)



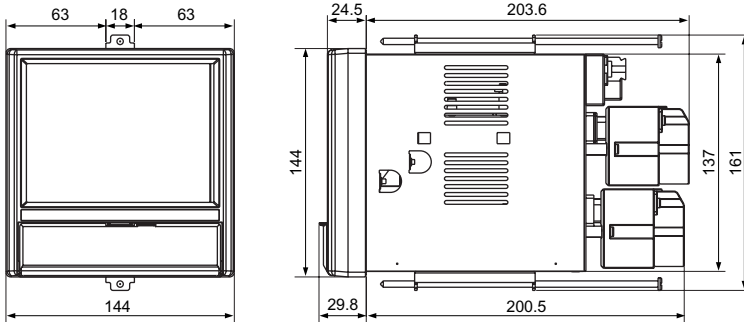
Mechanical relay alarm output 6 points (option)



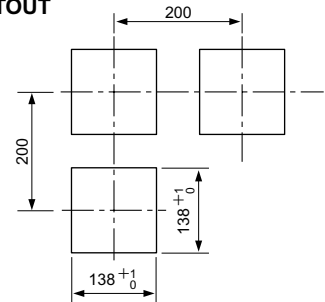
Digital input 8 points + MOS relay alarm output 8points (option)



DIMENSIONS



PANEL CUTOUT



Unit: mm

Specifications subject to change without notice. Printed in Japan (I) 2010. 10

CHINO CORPORATION

32-8 KUMANO-CHO, ITABASHI-KU, TOKYO 173-8632

Telephone : +81-3-3956-2171

Facsimile : +81-3-3956-0915

E-mail : inter@chino.co.jp

Website : www.chino.co.jp/