

# L051/52

## Submersible Pressure Transmitter



### APPLICATIONS

#### Features

- Housing SS316 outer, diameter 22Ø or 27Ø.
- Compact and rugged design and easy to install.
- With reasonable price, high accuracy and good stability in a long-run.
- Cable material: PVC or PTFE.

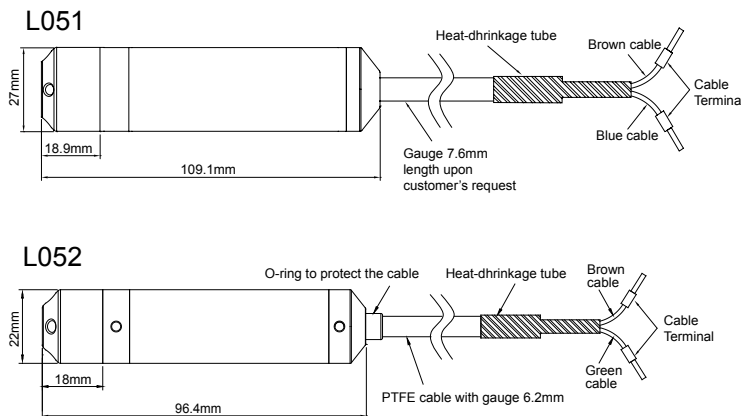
#### Applications

- This submersible pressure transmitter is easy to apply in open container and rivers. Plunge the transmitter into the bottom of rivers and you can get level signal of lower limit and upper limit.
- For applications in:
  1. Drinking water equipment
  2. Pit sinking.
  3. Waste water plant.
  4. Big container and barrel.
  5. Flow current (rivers and lakes).



L05		1	-	06	1	0	-	08	-	1
Appearance	Pressure Range			Output	Power Supply	Cable Length			Cable Material	
1 : 27 Ø 2 : 22 Ø	03 : 0.25BAR 04 : 0.4BAR 06 : 0.6BAR 11 : 1.0BAR	12 : 1.6BAR 13 : 2.5BAR 14 : 4.0BAR 16 : 6.0BAR	21 : 10BAR	1 : 4~20mA	0 : 10~30 (VDC)	05 : 5 meter 06 : 6 meter 08 : 8 meter 12 : 12 meter	18 : 18 meter 27 : 27 meter 42 : 42 meter 62 : 62 meter	A2 : 102 meter 00 : Option	1 : PVC 2 : PTFE	

### DIMENSION



### TECHNICAL SHEET

Sensor type ..... piezoresistive diaphragm  
 Input type ..... level  
 Measuring range ..... 0~10 BAR  
 Cable overload range .....

Pressure range	0.5	1	2	5	10	20
Overload range	2.5	3	4	7	15	30

Output ..... 4~20mA ; 2-wire  
 Linear accuracy ..... ±0.5 % of F.S  
 Load resistance ..... [Ohm] ≤ (working voltage-10V)  
 ..... / 0.02A-0.15Ω x cable length(M)  
 Output calibration(ZERO & SPAN) adjustment span.....  
 ..... ±10%of zero-point and full-scale, L052: computer calibration  
 Response time ..... ≤ 5 ms  
 Media measured ..... liquid  
 Working temperature ..... 0~50°C  
 Working humidity ..... 0~100%  
 Storage temperature ..... -25~+60°C  
 Measuring range tolerance ..... ±0.2% fs /10K  
 Power supply ..... 10~30VDC  
 Current consumption ..... ≤ 21mA  
 Overvoltage protection ..... <33VDC  
 Electrical Connection ..... specific cable  
 Installation ..... submersible  
 Protection degree ..... IP 68  
 Electrical protection ..... over-voltage, polarity, short-circuit  
 Certification ..... CE  
 Housing ..... SUS 316  
 Wetted part ..... SUS 316  
 Cable ..... PVC / PTFE  
 Weight (w/o cable)..... L051: 350g / L052: 190g (w/o cable)

### CONNECTION DIAGRAM

