

P041/42



Pressure Transmitter

APPLICATIONS

Features

- Housing SS304, outer diameter 22Ø or 27Ø.
- Rugged and compact design, easy to install.
- With reasonable price, high accuracy and good stability in a long-run.

Applications

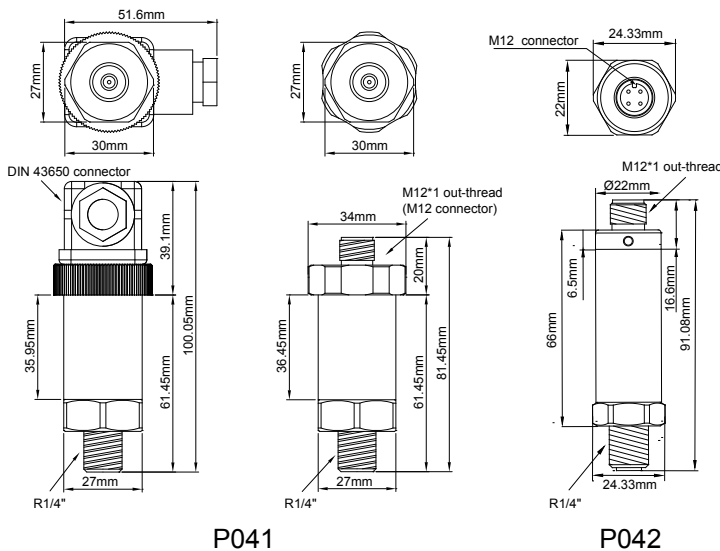
- For measuring in liquid and air pressure.
- In R&D, laboratory, and processing engineering.
- For measuring in liquid and air pressure in plant construction and instrument manufacturing.
- For machinery equipment, water processing equipment and air control equipment.



P04 1 - 0 0 1 2 0 2

Appearance	Pressure Type	Pressure Range	Output	Process Connection	Power Supply	Electrical Connector
1 : 27 Ø 2 : 22 Ø	0 : diffused-silicon absolute pressure 1 : diffused-silicon relative pressure	03 : 0.25BAR 04 : 0.4BAR 05 : 0.5BAR 06 : 0.6BAR 11 : 1.0BAR 12 : 2.0BAR 13 : 2.5BAR 14 : 4.0BAR 15 : 5.0BAR 16 : 6.0BAR 21 : 10BAR 23 : 20BAR	1 : 4~20mA (2-wire)	2 : outside thread R1/4" 4 : outside thread R1/2"	0 : 10~30 (VDC)	1 : DIN 43650 2 : M12*1 thread (M12 connector)

DIMENSION



TECHNICAL SHEET

Sensor type piezoresistive diaphragm
 Measuring pressure range absolute: 0~20 BAR · relative: 0~20 BAR
 Pressure over load range

Pressure range	0.5	1	2	5	10	20
Overload range	2.5	3	4	7	15	30

Output 4~20mA ; 2-wire
 Linear accuracy ±0.3% of F.S.
 Load resistance ≤ (working voltage-10V) / 0.02A Ω
 Output calibration (ZERO & SPAN) adjustment range P041: ± 10% zero-point and full scale
 P042: computer calibration
 Response time ≤ 5 ms
 Media measured gas, liquid
 Media temperature -20°C~80°C
 Working temperature -20°C~80°C
 Working humidity 100%
 Storage temperature -20°C~85°C
 Zero-point tolerance ±0.2% fs /10K
 Measuring range tolerance ±0.2% fs /10K
 Power supply 10~30VDC
 Current consumption ≤ 21mA
 Over voltage protection ≤ 33VDC
 Electrical connection DIN43650: P041 ; M12: P041 / P042
 Installation duct-mounting
 Process connection R1/4" or R1/2" outside thread
 Protection degree DIN 43650: IP 65 ; M12 connector: IP 67
 Electrical protection over-voltage ; polarity ; short circuit
 Certification CE
 Housing SUS 304
 Wetted part SUS 304
 Sensor SUS 316L
 Seal O-ring VITON
 Weight P041: 150g / P042 131g

CONNECTION DIAGRAM

