



P047

| Features |

- 316L flush diaphragm structure adopted for pressure connection
- Anti-fouling
- Wide pressure range, can measure absolute pressure, gauge pressure
- Good seal, long-term stable work
- Optional output signal, can be customized

| Introduction |

P047 adopts flush diaphragm to directly receive pressure signal, takes diffused silicon pressure sensor as sensitive element and uses standard silicone or olive oil as pressure transfer medium. With compact structure, corrosion resistance, vibration resistance and wide range temperature compensation, stainless steel 316L and specially welded flush isolation diaphragm are used for measurement end.

It prevents fouling due to its exposed diaphragm, which is especially applicable to measure viscous fluid pressure with sanitary requirements of health care and food industry, solving problems of fouling, block, cleaning and sanitation. It is also widely applicable to sanitary industries and occasions with fouling forming medium.



Applications :

Medicine and health care / Food /
Liquor-making / Dairy and drinks /
Environmental protection chemical
coating / Polyurethane equipment /
Paint detection system etc.



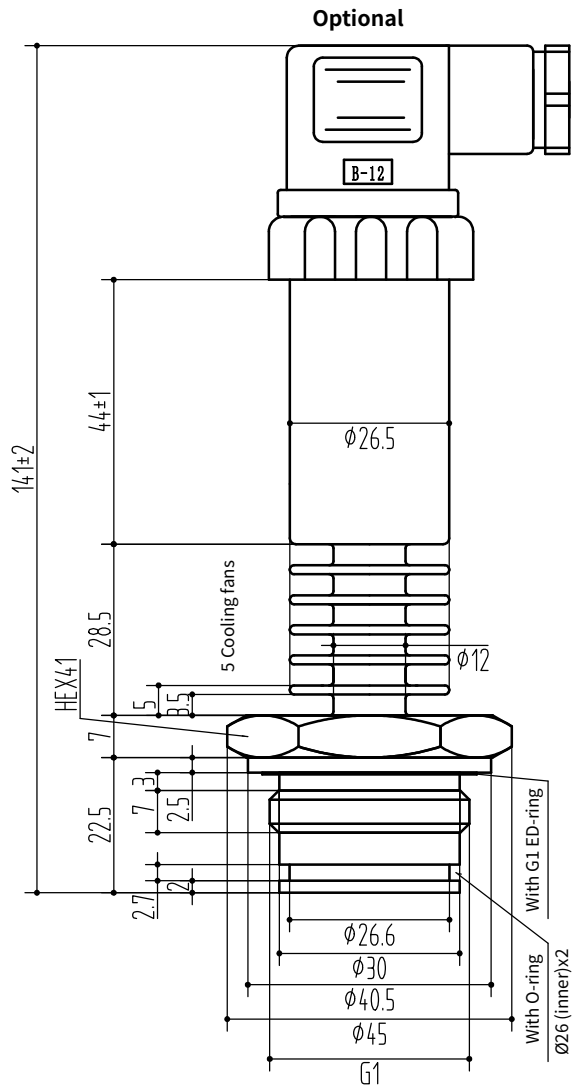
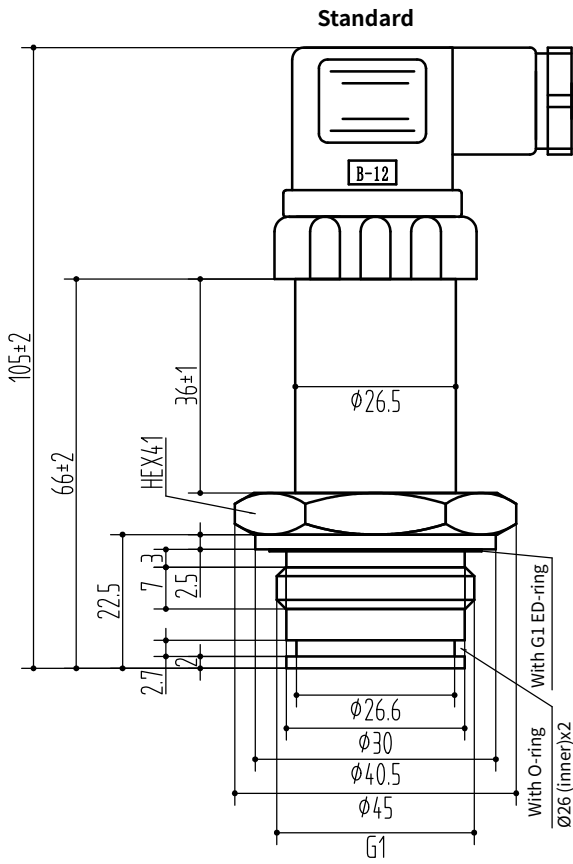
| Specification |

Measuring range	Relative pressure: -1 ... 250 bar; Absolute pressure: 0 ... 250 bar
Pressure type	Relative pressure / Absolute pressure
Output	4 ... 20mA (12 ... 30VDC) / 0 ... 10V (12 ... 24VDC)
Accuracy	0.5%F.S.
Hysteresis & repeatability	0.1%F.S.
Temperature drift	1.5%F.S. (at -20°C ... 85°C)
Response time	≤1ms (up to 90%F.S.)
Service life	≥10 × 10 ⁶ pressure cycles
Operating temperature	-20°C ... 85°C
Storage temperature	-40°C ... 85°C
Medium temperature	-40°C ... 85°C; -40°C ... 150°C (with 5 cooling fans)
IP rating	IP65
Material	SS316
Connection	DIN 43650

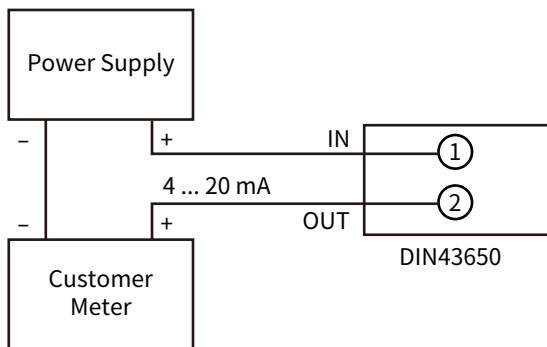
| Pressure Range |

Pressure range	Overpressure	Burst pressure
≤70kPa	300%FS	500%FS
≤2.5MPa	200%FS	300%FS
≤10MPa	150%FS	300%FS

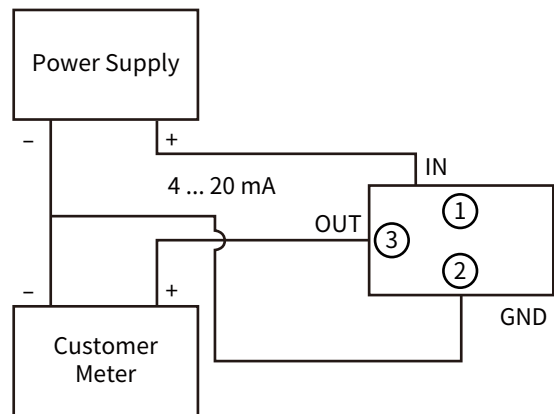
Dimension | Unit:mm



Diagram

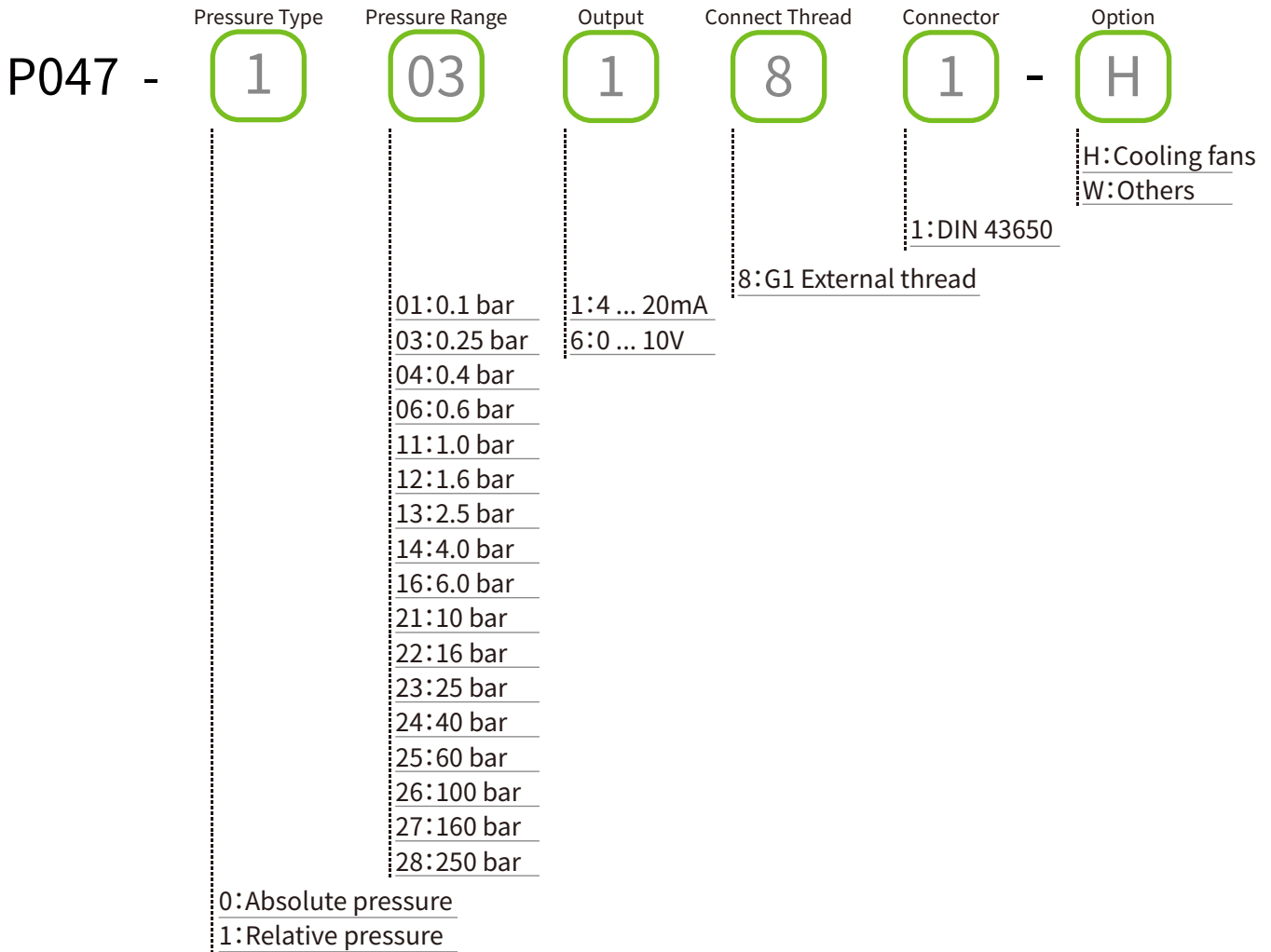


Current output



Voltage output

| Ordering Guide |



| Additional option (ILAC/TAF) Test report |



Additional option: Calibration laboratory test report (TAF accreditation: 3032) complying with ISO /IEC 17025. TAF has mutual recognition arrangement with ILAC MRA

Project	Measurand level or range
Pressure gauge	Gauge pressure : 10 ... 7000kPa(5 basic points or 3 basic points)
	Absolute pressure : 20 ...170kPa(5 basic points or 3 basic points)